

DDR3 XR-DIMM™

The XR-DIMM is specifically designed for ruggedized single board computing (SBC) applications needing high reliability, high density and high performance.

Measuring 67.5mm x 38mm x 7.36mm, SMART's XR-DIMM solves the space constraint issue for Advanced Memory Card form factor SBCs. With traditional SO-DIMMs mounted horizontally on AMC cards, the clips from the SO-DIMM socket violate the keep-out areas of the card and interfere with the system chassis when the AMC card is removed. The XR-DIMM solves this by using a low profile, snap-down mezzanine connector with no clips. The XR-DIMM form factor provides a ruggedized attach method as well as improved signal integrity that is ideal, not only for AMC cards, but also ATCA, PCIe, and COMe embedded computing applications.

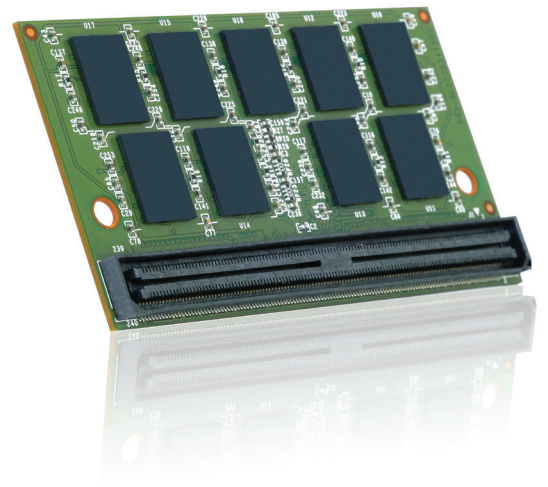
The 240-pin module conforms to standards established by the SFF Special Interest Group (SFF-SIG) to provide a perfect-fit solution for telecom, networking and industrial computing applications.

“...SMART's product is a good choice for system OEMs who want to eliminate some of the failure modes of consumer-grade memory modules because the costs of downtime are high.”

Alexander Lochinger - President, SFF-SIG

Features & Benefits

- No socket clips: more rugged and compact than SO-DIMMs
- Highly rugged 240-pin connector and screw attach interface provides superior resistance to shock and vibration
- (18) x8 DRAMs, two ranks, ECC Unbuffered XR-DIMM
- Industrial temperature and low power options available
- Conforms to XR-DIMM Rugged Memory spec rev 2.0

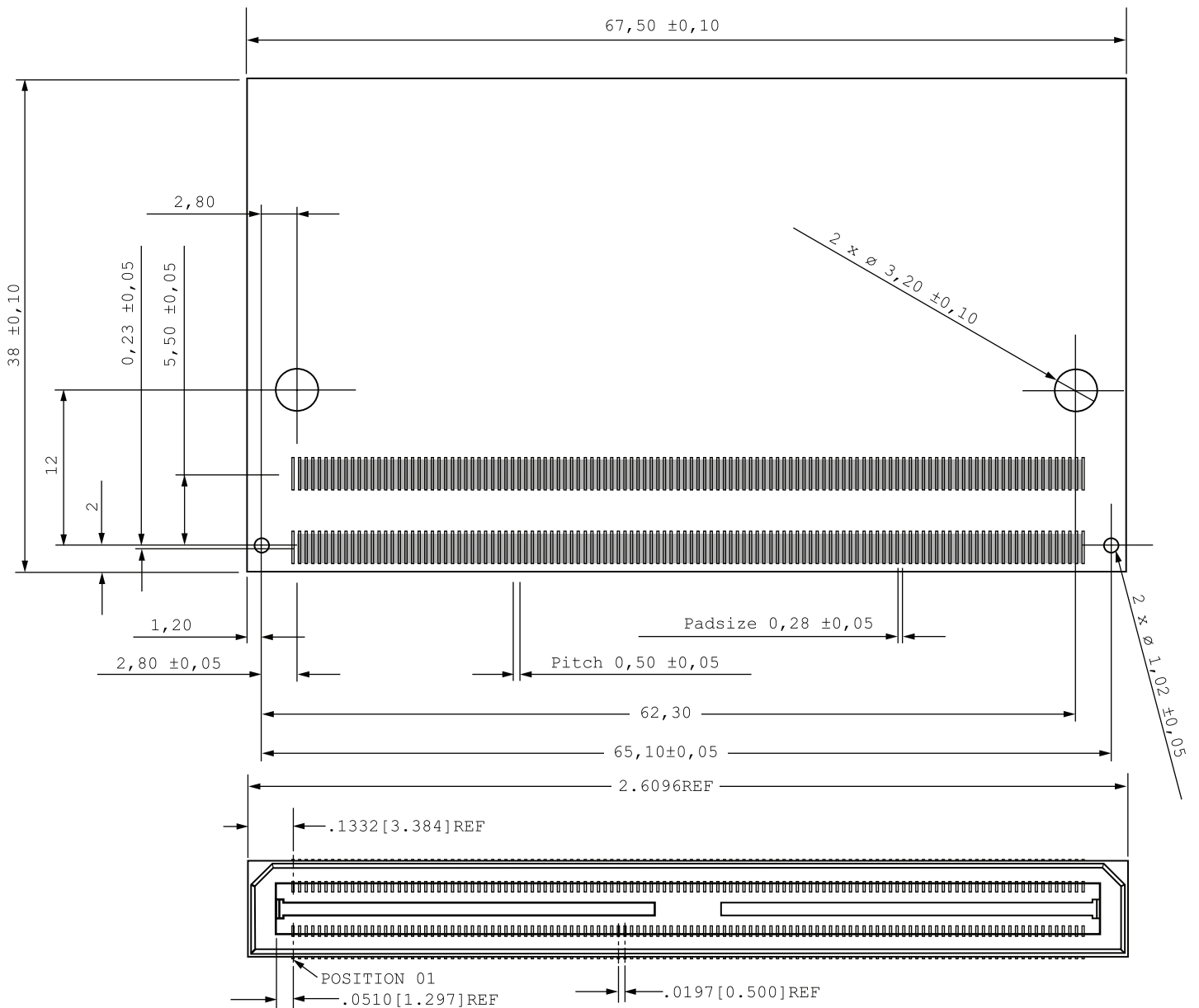


DDR3 XR-DIMM

Ordering Information

DDR3 XRDIMM							
SMART Part Number	Density	Dimensions (mm)	Module Config	Device Config	Speed	Voltage	Temperature
SPI027XV351816SE	8GB	38	1Gb x72	512Mx8	1600MT/s	1.35V	0°C to +70°C
SPI1027XV351816SE	8GB	38	1Gb x72	512Mx8	1600MT/s	1.35V	-40°C to +85°C

XR DIMM Dimensions



Contact information

Corporate Headquarters/North America: T: (+1) 800-956-7627 • T: (+1) 510-623-1231 • F: (+1) 510-623-1434 • E: info@smartm.com

Customer Service: T: (+1) 978-303-8500 • E: customers@smartm.com

Latin America: T: (+55) 11 4417-7200 • E: sales.br@smartm.com

EMEA: T: (+44) 7825-084427 • E: sales.euro@smartm.com

Asia/Pacific: T: (+65) 6678-7670 • E: sales.asia@smartm.com

For more information, please visit: www.smartm.com

